



# TerryPhone



## USER GUIDE

### Landline Telephone (TP-03)

## IMPORTANT SAFETY INSTRUCTIONS

Before using your telephone equipment, basic safety precautions should always be followed to reduce the risk of fire, electric shock and injury to persons including the following:

1. Read and understand all instructions.
2. Follow all warnings and instructions marked on the product.
3. Unplug this product from the wall outlet before cleaning. Do not use liquid or aerosol cleaners. Use a damp cloth for cleaning.
4. Do not use this product near water, for example, near a bath tub, wash bowl, kitchen sink, or laundry tub, in a wet basement or near a swimming pool.
5. Do not place this product on an unstable cart, stand, or table. The product may fall causing serious damage to the product.

## INSTALLATION

### Coil Cord Connection

Insert coil cord into modular jack located on left hand side housing. Connect the other end into the modular jack located on handset.

### Line Cord Connection

Insert the modular plug of the straight cord into the rear side of base unit, then insert the other end of RJ11C plug into the wall jack.

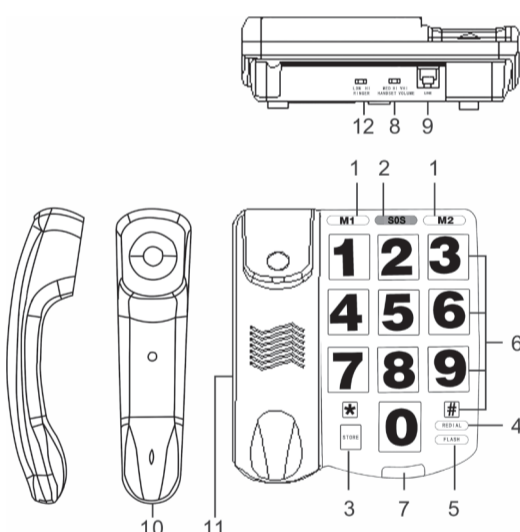
Pick up the handset. If you can hear the dial tone, your phone is ready for use. If not, please try disconnecting and reconnecting all the cords. Make sure that the correct cords are inserted into the correct slots.

## OPERATION

### KEY FEATURE

#### Last Number Redial

Your PHONE remembers the last number dialed. If the number you dial is busy or not being answered, hang up. To redial the last number automatically, press the REDIAL button. NOTE: You can redial the same telephone number as many times as required. However, once you dial another number, the previous number is erased.



1	Direct Memory Keys	7	Ringer Light
2	SOS (911) memory Key	8	Handset volume Med-HI-VHI Switch
3	Store Key	9	Line Jack Socket
4	Redial Key	10	Handset Socket
5	Flash Key	11	Handset Socket
6	Dialing Key	12	RINGER LO/HI Switch

### Ringer Switch LO / HI

Your phone provides a ringer adjustment of High and Low.

### FLASH KEY

This key is for getting a new line if you make a mistake when dialing or it is also used to answer a call waiting.

### MEMORY FEATURE

Your PHONE is equipped with SOS (911) memory key plus 2 one touch memory keys (M1, M2).

### To Store

1. Pick up the handset
2. Press "Store" button
3. Input phone number
4. Press Store again
5. Press M1 (M2 or SOS)
6. Replace handset

To dial stored numbers simply pick up the handset and press M1 (M2 or SOS)

## Technical Support

For WARRANTY SERVICE or any other issues please contact us directly by emailing [customerservice@acenisinc.com](mailto:customerservice@acenisinc.com)

You can also text (SMS) on (866) 554-2791 or reach out on our @TerryPhone Facebook page and @terryphonego Instagram page.